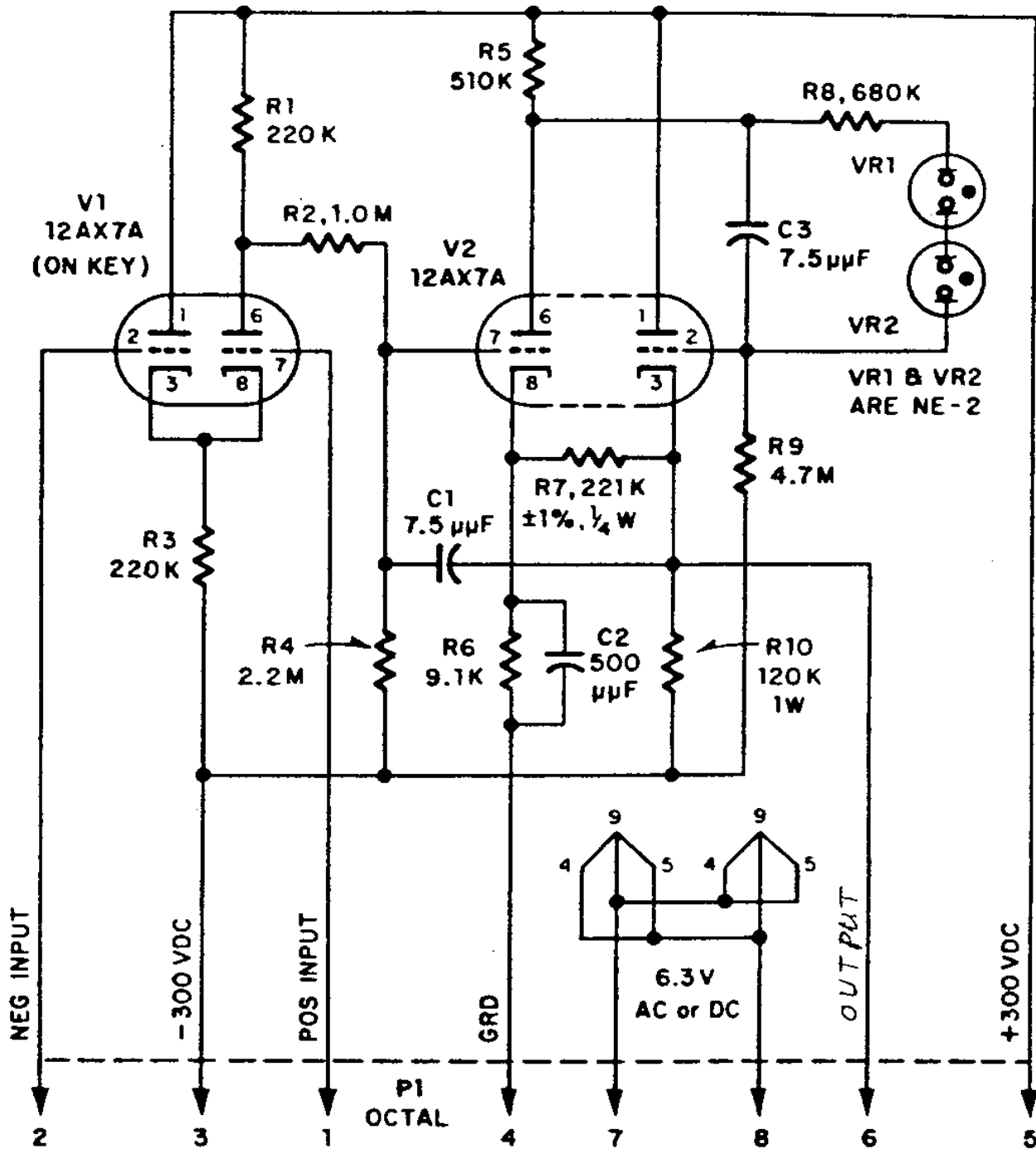


I've always said that the 12AX7 was my favorite vacuum tube. Here's a schematic of the Philbrick K2-W Operational Amplifier (Source: <http://www.national.com/rap/images/CCC.gif>).



**NOTE** UNLESS OTHERWISE STATED RES. ARE  $\pm 5\%$ ,  $\frac{1}{2}$  W